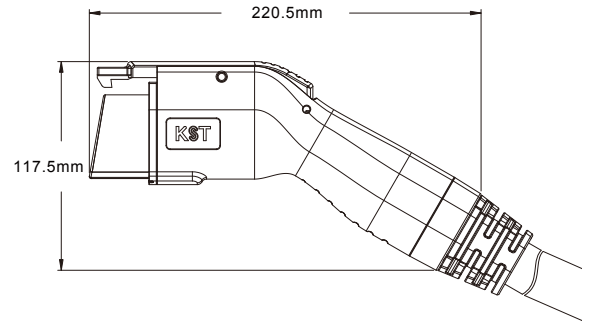




# UL 2251

AC Charging Connector for Electric Vehicle : SAE J1772 Standard

## VCPU2A080D0 / VCPU2A040D0 / VCPU2A032D0 VCPU2A016D0 / VCPU1A016D0



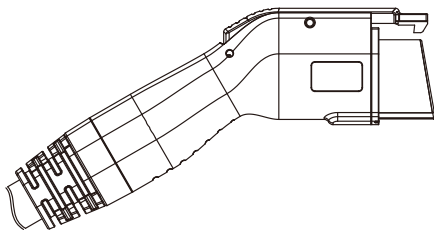
### Features

- Conformity in surface design with SAE J1772, as well as product test accordance with UL 2251.
- Ergonomic and streamlined designs allow for user-friendly interaction.
- High level of protection against severe environment.
- Products passed 5000N driveover test.
- Applicable to Connection B and Connection C of IEC 61851.

### Application

BEV, PHEV, charging pile, cord set and domestic wall-mounted charger, etc.  
Charging mode : mode2 / mode3 ; Type of connection : Case B / Case C.

### Product Perimeter



### Project

Plug Color  
 Rated Current  
 Rated Voltage  
 Lifespan  
 Flammability Rating  
 Protection Level  
 Operating temperature  
 Main Material

### Specification

Black  
 80A / 40A / 32A / 16A  
 240V AC  
 ≥ 10000 times  
 UL 94V-0  
 NEMA 4 (Body IP67)  
 -30°C ~ +50°C  
 PBT / PC / PA66 / Copper Alloy

### AC Charging Cable Spec.

### Specification

### Color

### Standard

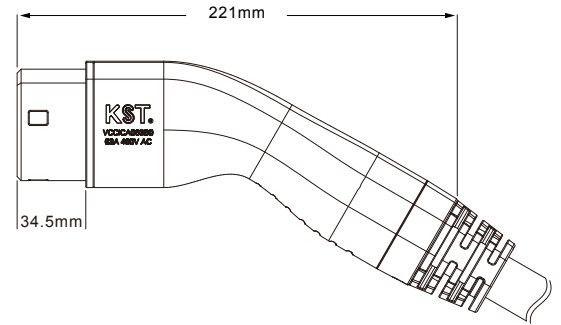
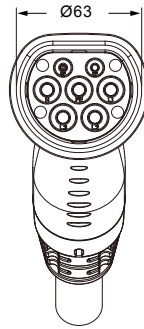
80A Cable	2x5AWG+1x6AWG+1x16AWG	Black	UL62 EVE
40A Cable	2x8AWG+1x10AWG+1x18AWG	Black	UL62 EVE
32A Cable	3x10AWG + 1x18AWG	Black	UL62 EVE
16A Cable	3x14AWG + 1x18AWG	Black	UL62 EVE
16A Cable	3x14AWG + 1x18AWG	Black	UL62 EVJE



# IEC 62196

AC Charging Connector for Electric Vehicle : IEC 62196 TYPE2

## VCCICA063B0 / VCCICA032B0 / VCCICA020B0 VCCI2A032B0 / VCCI2A020B0 / VCCI2A013B0



IEC 62196



AC mode



Water Proof



Dust Proof



Wide Range Temp.

### Features

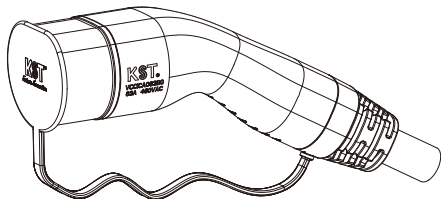
- Conformity in surface design with IEC62196-2 TYPE2, as well as product test accordance with IEC 62196-2.
- Ergonomic and streamlined designs allow for user-friendly interaction.
- High protection level to resist severe environment.
- Products passed 5000N driveover test.
- Applicable to connection B and Connection C of IEC 61851.

### Application

BEV, PHEV, charging pile, cord set and domestic wall-mounted charger, etc.

Charging mode : mode2 / mode3 ; Types of connection : Case B / Case C

### Product Perimeter



### Project

Plug Color  
 Rated Current  
 Rated Voltage  
 Lifespan  
 Flammability Rating  
 Protection Level  
 Operating temperature  
 Main Material

### Specification

Black  
 63A / 32A / 20A / 16A  
 250V AC / 480V AC  
 $\geq 10000$  times  
 UL 94V-0  
 With Cap IP54 (Body IP67)  
 $-30^{\circ}\text{C} \sim +50^{\circ}\text{C}$   
 PBT / PC / PA66 / Brass

### AC Charging Cable Spec.

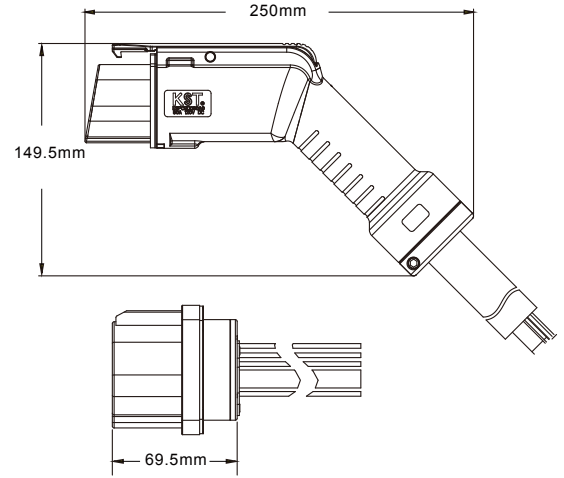
AC Charging Cable Spec.	Specification	Color	Standard
63A Cable	$5 \times 16\text{mm}^2 + 1 \times 0.75\text{mm}^2$	Black	EN50620
32A Cable	$5 \times 6.0\text{mm}^2 + 1 \times 0.75\text{mm}^2$	Black	EN50620
20A Cable	$3 \times 2.5\text{mm}^2 + 1 \times 0.75\text{mm}^2$	Black	EN50620
13A Cable	$3 \times 1.5\text{mm}^2 + 1 \times 0.75\text{mm}^2$	Black	EN50620



# Taiwan E-Scooter

DC Charging Connector for Electric Scooter : TES-0D-01-01

## ESPCBD080A0 / ESSCBD080A0



### Features

- Conformity in surface design with TES-0D-01-01, as well as product test accordance with TES-0D-01-01.
- Ergonomic and streamlined designs allow for user-friendly interaction.
- High protection level to resist severe environment.
- Products passed 800N driveover test.

### Application

E-Scooter, Charging pile, cord set, domestic wall-mounted charger, etc.

Product Perimeter	Project	Specification
	Plug Color Rated Current Rated Voltage Lifespan Flammability Rating Protection Level Operating temperature Main Material	Gray 80A 120V DC ≥ 10000 times UL 94V-0 IP55 (Body IP67) -30°C ~ +50°C PBT / PC / PA66 / Copper Alloy

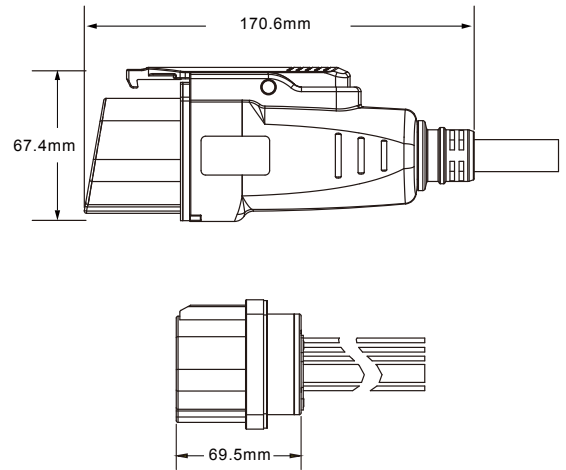
AC Charging Cable Spec.	Specification	Color	Standard
80A Cable	2×25mm <sup>2</sup> +7×0.75mm <sup>2</sup> +2×0.75mm <sup>2</sup>	Black	



# Taiwan E-Scooter

DC Charging Connector for Electric Scooter : TES-0D-01-01 (Interface)

## ESPCBD025B0 / ESSCBD080A0



### Features

- Conformity in surface design with TES-0D-01-01, as well as product test accordance with TES-0D-01-01.
- Ergonomic and streamlined designs allow for user-friendly interaction.
- High protection level to resist severe environment.
- Products passed 800N driveover test.

### Application

E-Scooter, Charging pile, cord set, domestic wall-mounted charger, etc.

Product Perimeter	Project	Specification
	Plug Color Rated Current Rated Voltage Lifespan Flammability Rating Protection Level Operating temperature Main Material	Black 25A 120V DC ≥ 10000 times UL 94V-0 IP55 (Body IP67) -30°C ~ +50°C PBT / PC / PA66 / Copper Alloy

AC Charging Cable Spec.	Specification	Color	Standard
25A Cable	2×3.5mm <sup>2</sup> +5×0.5mm <sup>2</sup>	Black	