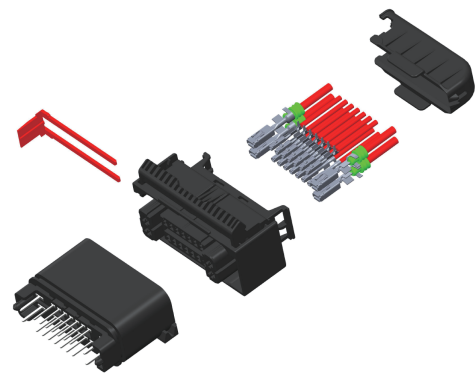


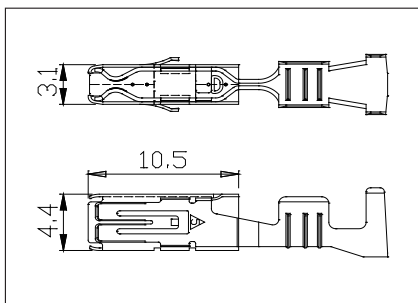
110 & 050 Hybrid Abs SERIES SEALED



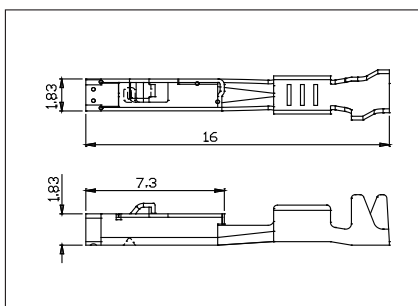
SPECIFICATIONS

Material	Connector	PBT
	Male Terminal	BRASS
	Female Terminal	COPPER ALLOY / Stainless Steel
Operating Temperature Range		-40°C ~ +130°C
Applicable Wire Size		110 : 1.25mm ² ~ 2.0mm ² : 050 : 0.5mm ² ~ 0.85mm ²
IP Code		IPX9K (IEC60529)
Rated Voltage		50 V
Maximum Electric Current		110 : 7A(4 Pos.) : 050 : 4A(14 Pos.)

TERMINAL

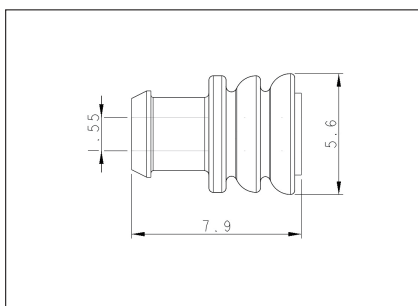


ITEM NO.	WIRE RANGE		MATERIAL	PLATINGS	Q'TY REEL	APPLICATOR	DIES
	A.W.G.	mm ²					
1221A1492	-	1.25~2.0	COPPER ALLOY Stainless Steel	Pre-Tin	2000	-	CDT-106001-L



ITEM NO.	WIRE RANGE		MATERIAL	PLATINGS	Q'TY REEL	APPLICATOR	DIES
	A.W.G.	mm ²					
1211A1497	-	0.75~1.25	COPPER ALLOY	Pre-Tin	5000	-	CDT-106-002-S

RUBBER SEAL



ITEM NO.	MATERIAL	COLOR	Q'TY BAG	WIRE INSULATION DIAMETER(mm)
7001A1490	SILICONE	BROWN	1000	2.2~3.0